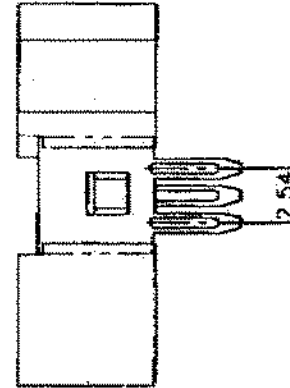
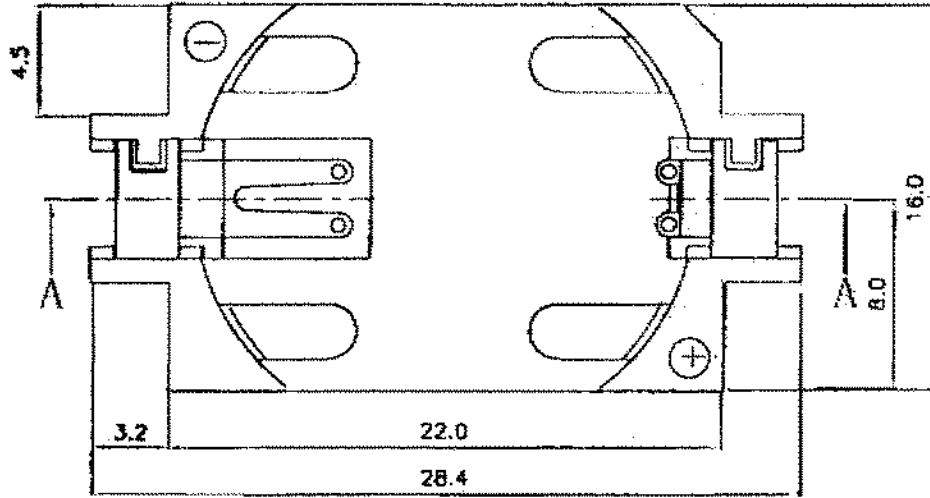
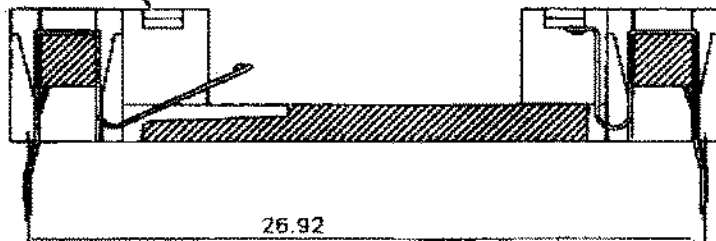


NOTES

1. MATERIALS: HOUSING-LCP 30%GF UL94V-0.
2. COLOR: WHITE
3. PLATING: Sn/Pb 120u"MIN
OVER Ni 60u"MIN



BX4(NOTES 2)

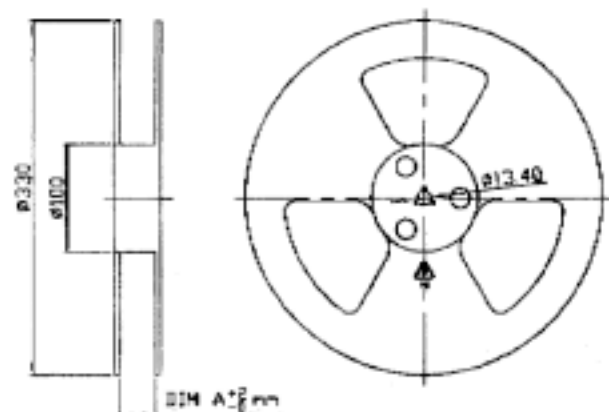


SECTION A-A

3					
2					
1			NAME		
NO.		DATE	SCALE	APPD.	<i>shuimin</i>
			UNIT	MM	CHKD. <i>Huang Jiaqian</i>
			MAT'L		DWN. LING
			DATE	04/20/05	DR NO. CH29-2032-0405



General Tolerances:
 Angel: $\pm 3^\circ$
 Dim: 0.0 ± 0.30
 0.00 ± 0.20
 0.000 ± 0.10



PACKAGING REEL (SI:10)

NOTE:

1. MATERIAL: PLASTIC REEL
2. ALL DIMENSIONS MEET EIA-418-3 REQUIREMENTS.
3. COMPONENT LOAD PER 13" REEL: 500 PCS.
4. P/N: SEE TABLE 1 & TABLE 2



TOP COVER

NOTE:

1. COVER CAMBER IS WITHIN 1mm in 100mm.
2. MATERIAL: TRANSPARENT POLYSTYRENE ALLOY (UP-5000) 100% RECYCLABLE.
3. ALL DIMENSIONS MEET EIA-418-3 REQUIREMENTS.
4. COVER THICKNESS: 0.053 ± 0.005mm.
5. COVER PACKING LENGTH PER PER 22" REEL: 200 METERS.
6. P/N: SEE TABLE 1 & TABLE 2

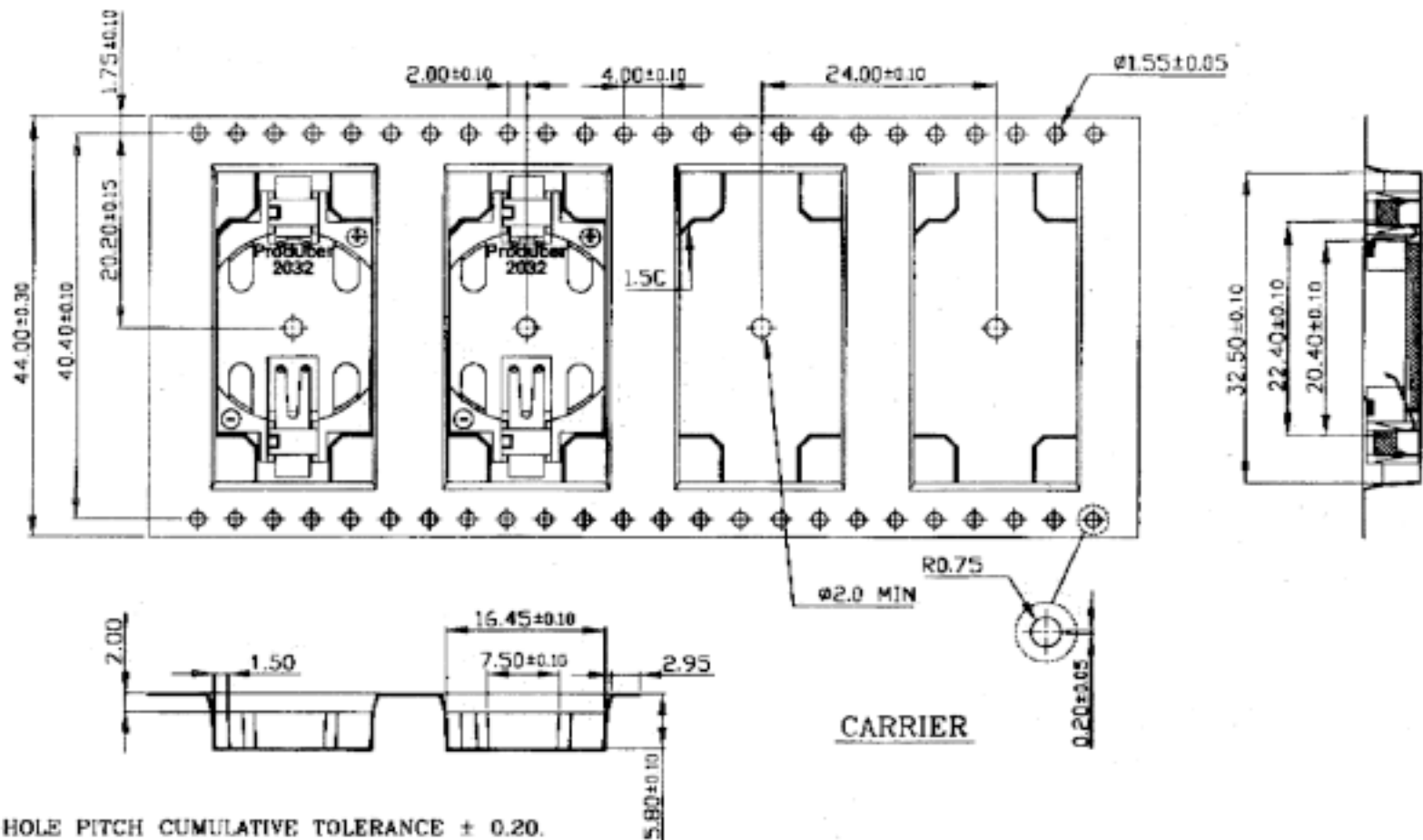
TABLE 1

NO.	PACKAGING REEL P/N	DIM A	CARRIER WIDTH	REMARK
1	7-OT-001-XX	8.4	8 mm	13" PLASTIC REEL
2	7-OT-002-XX	12.4	12 mm	13" PLASTIC REEL
3	7-OT-003-XX	16.4	16 mm	13" PLASTIC REEL
4	7-OT-004-XX	24.4	24 mm	13" PLASTIC REEL
5	7-OT-005-XX	32.4	32 mm	13" PLASTIC REEL
6	7-OT-006-XX	44.4	44 mm	13" PLASTIC REEL
7	7-OT-007-XX	58.4	58 mm	13" PLASTIC REEL
8	7-OT-008-XX	72.4	72 mm	13" PLASTIC REEL
9	7-OT-009-XX	88.4	88 mm	13" PLASTIC REEL
10	7-OT-010-XX	104.4	104 mm	13" PLASTIC REEL
11	7-OT-011-XX	120.4	120 mm	13" PLASTIC REEL

TABLE 2

NO.	TOP COVER P/N	DIM B	CARRIER WIDTH	REMARK
1	7-OT-012-XX	5.3	8 mm	ADHESIVE COVER
2	7-OT-013-XX	9.3	12 mm	ADHESIVE COVER
3	7-OT-014-XX	13.3	16 mm	ADHESIVE COVER
4	7-OT-015-XX	21.3	24 mm	ADHESIVE COVER
5	7-OT-016-XX	25.5	32 mm	ADHESIVE COVER
6	7-OT-017-XX	37.5	44 mm	ADHESIVE COVER
7	7-OT-018-XX	49.5	58 mm	ADHESIVE COVER
8	7-OT-019-XX	65.4	72 mm	ADHESIVE COVER
9	7-OT-020-XX	81.4	88 mm	ADHESIVE COVER
10	7-OT-021-XX	97.4	104 mm	ADHESIVE COVER
11	7-OT-022-XX	113.4	120 mm	ADHESIVE COVER

		ENGINEERING DRAWING		UNITS: mm	
B	RC-2009-029	04/10/00	General Engineering Angle: 12°	Rev: 00 00.00 01 00.00 02 00.00	Date: 04/30/99 Sheet: 2 of 2
A	RELEASE	04/30/99			Part No: 7-OT-XXX-XX
REV	Revision Record	Date	Drawn by	Chk. by	Title: BATTERY BOX EMBOSSED TAPE (1) 420000
Refer Only On Old System			App'd by	Scale: 4 : 3	



CARRIER

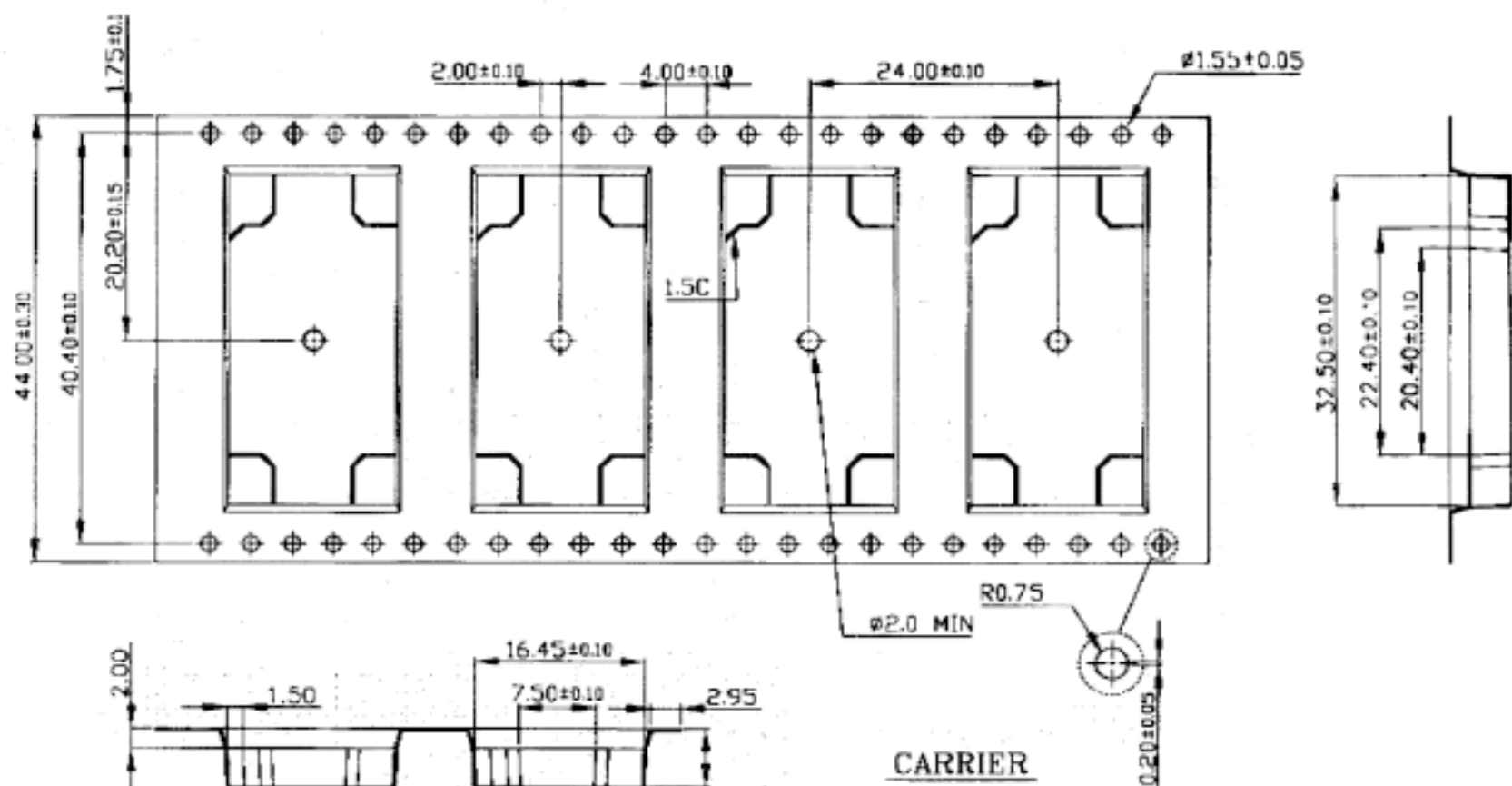
NOTE:

1. SPROCKET HOLE PITCH CUMULATIVE TOLERANCE ± 0.20 .
2. CARRIER CAMBER IS WITHIN 1mm in 100mm.
3. MATERIAL: BLACK CONDUCTIVE POLYSTYRENE ALLOY (UP-5000) 100% RECYCLABLE.
4. ALL DIMENSIONS MEET EIA-418-3 REQUIREMENTS.
5. THICKNESS: 0.36 ± 0.05 mm.
6. PACKING LENGTH PER 22" REEL: 39.5 METERS.
7. COMPONENT LOAD PER 13" REEL: 500 PCS.
8. PEEL FORCE (300mm/min): 8mm: 30~100g
12~56mm: 30~100g
9. P/N:

7-RL-019-00

NO.	CARRIER P/N	CONNECTOR P/N	REMARK
1	7-RL-019-XX		44 mm WIDTH

		ENGINEERING DRAWING		UNIT: mm	
B	RC-2000-029	04/10/99	General Tolerances Angle: 1:2	Rev 03 10.25 030 10.10 0000 10.05	Date: 04/30/99 Rev: 1 OF 2
A	RELEASE	04/30/99			Eng No: 7-RL-019-00 Rev: B
REV	Revision Record	Date	Drawn by	Drawn by	Date
Shrink Only On End System			App'd by	Scale	4 : 3
					BATTERY HOLDER EMBOSSED TAPE PACKAGING



NOTE:

- 1.10 SPROCKET HOLE PITCH CUMULATIVE TOLERANCE ± 0.20 .
- 2.CARRIER CAMBER IS WITHIN 1mm in 100mm.
- 3.MATERIAL:BLACK CONDUCTIVE POLYSTYRENE ALLOY (UP-5000)100% RECYCLABLE.
- 4.ALL DIMENSIONS MEET EIA-418-3 REQUIREMENTS.
- 5.THICKNESS:0.36±0.05mm.
- 6.PACKING LENGTH PER per 22" REEL:38.5 METERS.
- 7.COMPONENT LOAD PER 13"REEL: 500 PCS.
- 8.PEEL FORCE (300mm/min): 8mm: 30~100g
12~56mm: 30~100g

9.P/N:

7-RL-019-00

NO.	CARRIER P/N	CONNECTOR P/N	REMARK
1	7-RL-019-XX		44 mm WIDTH

		ENGINEERING DRAWING		UNIT: mm	
B	RC-2000-029	04/10/00	General Tolerance Angle: 45°	Dir: 0.0 0.08 0.005	1425 1413 1475
A	RELEASE	04/30/99	Drawn by	Checked by	Rev: 04/30/99 Sheet: 1 OF 2 Eng. NO: 7-RL-019-00 REV: B
REV	Revision Record	Date	Drawn by	Checked by	TITLE: BATTERY HOLDER EMBOSSED TAPE PACKAGING
Review Only In Cool System			App'd by	Scale: 4 : 3	