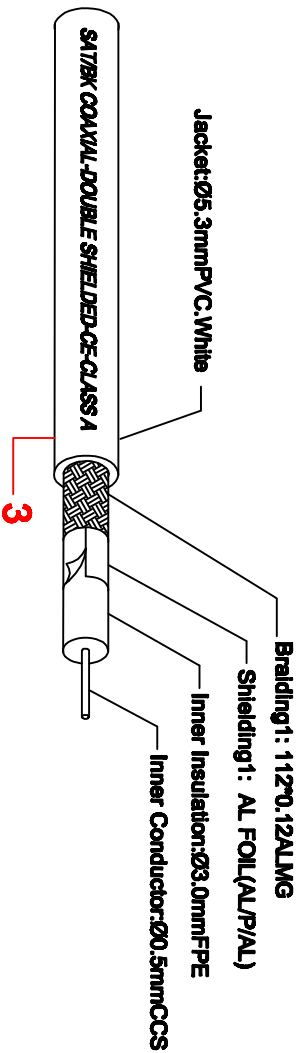


## Construction



## Wiring Method



COAX 9.5plug

COAX 9.5 90°jack

1. dimensions As shown
2. Insulation resistance≥100 up to 500V=
3. dielectric strength 2KV 50Hz 2 sec.
4. TESTING: 100% OPEN AND SHORT AND MISWIRE TEST.
5. 100% RoHS COMPLIANT.

No	Item	Length	Packaging
67359	BKVG 0150	1.5m	1/10/60/160
67360	BKVG 0250	2.5m	1/10/60/120
67361	BKVG 0350	3.5m	1/10/40/80
67362	BKVG 0500	5.0m	1/10/30/60
67363	BKVG 0750	7.5m	1/5/20/40
67364	BKVG 1000	10	1/5/20/40

6	MOLDED	PVC ASP White	15g
5	Copper coil	φ4.5mm H3mm	ZPCS
4	MOLDED	PVC ASP White	10g
3	CABLE	φ5.3 RG99 COAXIAL CABLE White(According to the chart)	1
2	CONNECTOR	COAX 9.5 90° Jack (Nickel plating 100%Shielded )	1set
1	CONNECTOR	COAX 9.5 Plug (Nickel plating 100% Shielded )	1set
NO	Item Name	SPEC	QTY
Edition	WEC/000	Scale	
Designed by	ming hong	Item Name	COAX PLUG TO COAX 90° JACK COAXIAL CABLE
Checked by		Item NO	<b>BKVG series cable</b>
Approved by		Unit:	MM
Date	11.28.2013		